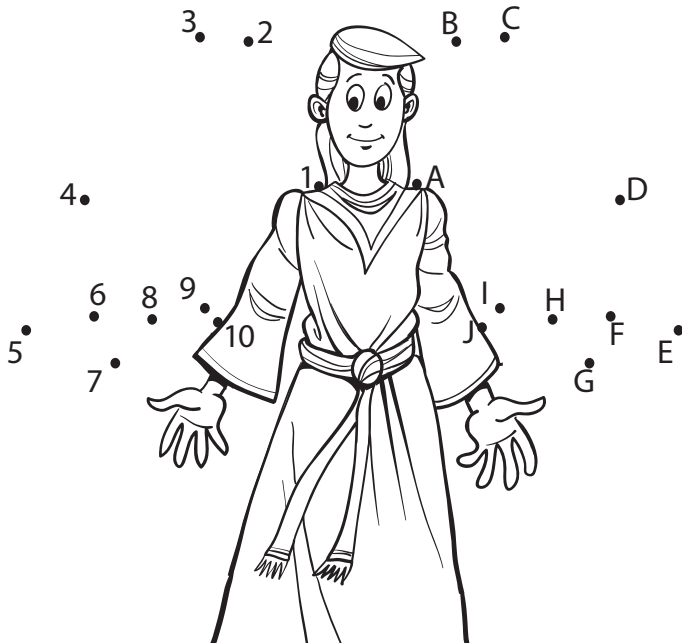


Name: _____

Instructions: Connect the dots. Color the pictures. Then trace over the letters.

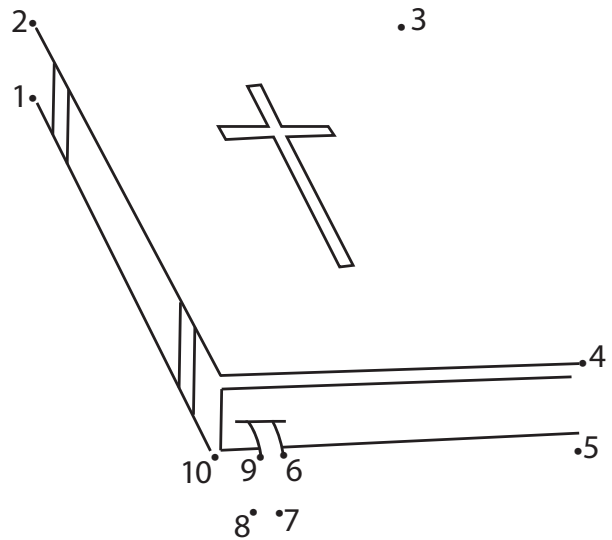
Zechariah trusted
God to answer.



God sent an

ANGEL

We can trust God
to answer, too.



God gives us His Word, the

BIBLE

Faith Fact

I can trust God to answer.

Bible Story

Zechariah and Elizabeth's Wait Is Over
Luke 1:6-25, 57-66

Faith Verse

Psalm 34:19 (NLT)
The righteous person faces many troubles, but the
LORD comes to the rescue each time.

Family Devotions: Family Devotions for this session can be found on the Bible Engagement Project app.

Scripture quotations marked (NLT) are taken from the Holy Bible, New Living Translation, copyright ©1996, 2004, 2015 by Tyndale House Foundation.
Used by permission of Tyndale House Publishers, Inc., Carol Stream, Illinois 60188. All rights reserved.

© 2022 by The General Council of the Assemblies of God, 1445 N. Boonville Ave., Springfield, Missouri 65802. All rights reserved. • Permission to copy for local church use only.